

Technical sheet :

AGRICULTURAL MULTIFUNCTION GRAB BUCKET - WE



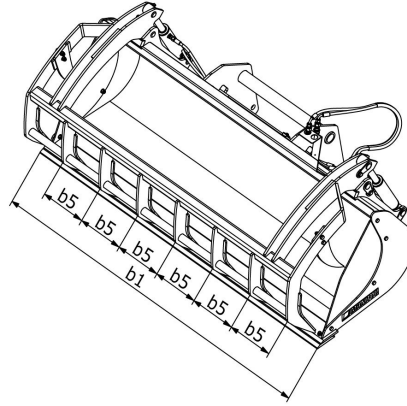
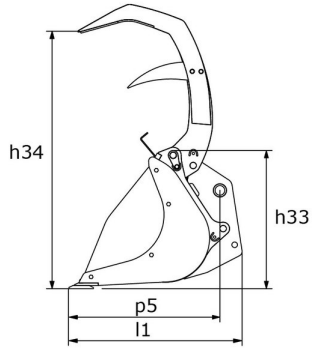
Benefits

- Robust and versatile bucket suitable for dairy use and different AG applications.
- Complete opening >90° and powerful jaw allows working flush with walls.
- Perfect for handling wet manure, silage....
- Must-have tool for livestock farm.

Technical characteristics

- Welded teeth -MS.
- Handling materials with a density $\leq 1000\text{kg/m}^3$.
- Dismountable sides, spill guard and 500HB bolt-on cutting edge standard.
- Reinforced construction (base, blade and grab).
- Nitritized cylinders, all pins with "construction type" mounting.

Agricultural Multifunction Grab Bucket - WE - Dimensional drawing



Technical characteristics		BG 1500 / 600 WE	BG 1500 / 850 WE	BG 1850 / 1050 DA WE	BG 2100 / 1200 WE	BG 2300 / 1350 WE	BG 2450 / 1400 WE	BG 2450 / 1700 WE
Distance to center of gravity (mm)		357	482	550	485	486	488	1021
Capacities								
Heaped Capacity (l)		550	850	1059	1200	1335	1426	1695
Struck capacity (l)		-	521	650	740	813	868	1150
Weight and dimensions								
Overall height (mm)	h17	798	1039	1033	1032	1031	1033	1124
Opened grab height (mm)	h34	1450	1777	1776	1776	1776	1776	1979
Closed grab height (mm)	h33	798	1039	1033	1032	1031	1033	1124
Width (mm)		1500	1500	1850	2100	2300	2450	2450
Length (mm)		1142	1263	1288	1280	1280	1280	1377
Depth (mm)	p5	829	944	1020	941	941	941	1021
Overall weight (kg)		382	580	696	745	785	813	895
Working Parameters								
Machine Equipment								
Hydraulic system		Yes	Yes	Yes	Yes	Yes	Yes	Yes
Teeth / Fingers		6	6 / 2	7 / 2	8 / 2	8 / 2	8 / 2	9 / 2
Fork spread minimum (mm)	b5	-	274	285	280	308.80	330.30	-
Fork spread maximum (mm)	b5	-	274	285	280	308.80	330.30	-
Other Data for Attachments								
Bolted wearplate (LDR)		-	Standard	Standard	Standard	Standard	Standard	Standard
Wear plate hardness		-	500	500	500	500	500	500
Machines compatibility								
Reference number		-	52651959	52647326	52647328	52647330	52647332	52549720
Skid Steer Cariage reference		-	52651960	-	-	-	-	-
All-Tach®		52736705	-	-	-	-	-	-
4 point Cariage		52742062	-	-	-	-	-	-
Euro Cariage		52742063	-	-	-	-	-	-
MLA-T 533-145 V+ - ST5		-	-	-	-	X	X	X
MLT 420-60 H		-	X	-	-	-	-	-
MLT 625-75 H		-	-	X	-	-	-	-
MLT 630-105 ST4		-	-	-	X	X	X	-
MLT 630-105 V CP ST4		-	-	-	X	X	X	-
MLT 630-105 V ST4		-	-	-	X	X	X	-
MLT 630-115		-	-	-	X	X	X	-
MLT 630-115 V		-	-	-	X	X	X	-
MLT 630-115 V CP		-	-	-	X	X	X	-
MLT 635-130 PS+		-	-	-	-	-	X	X
MLT 635-140 V+		-	-	-	-	-	X	X
MLT 730-115 V		-	-	-	X	X	X	-
MLT 730-115 V CP		-	-	-	X	X	X	-
MLT 730-115 V CP ST4		-	-	-	X	X	X	-
MLT 733-115		-	-	-	-	-	X	X
MLT 733-115 LSU		-	-	-	-	-	X	X
MLT 733-115 ST4		-	-	-	-	-	X	X
MLT 737-130 PS+		-	-	-	-	-	X	X
MLT 737-130 PS+ ST4		-	-	-	-	-	X	X
MLT 840-145 PS+		-	-	-	-	-	X	X
MLT 841-145 PS+		-	-	-	-	-	X	X
MLT 845-100 H		-	-	-	-	-	X	X
MLT 845-120		-	-	-	-	-	X	X
MLT 940-140 V+		-	-	-	-	-	X	X
MLT 1040-145 PS+ L		-	-	-	-	-	X	X
MLT 1041-145 PS+L		-	-	-	-	-	X	X
MLFX 625-75 H		-	-	X	-	-	-	-
MLFX 732		-	-	-	-	-	X	-
MLFX 735 T LSU		-	-	-	-	-	X	X
MLFX 840-140 PS+		-	-	-	-	-	X	X
MLFX 841 - 145 PS+		-	-	-	-	-	X	X
MLFX 845-120		-	-	-	-	-	X	X
MLFX 845-120 H		-	-	-	-	-	X	X
MLFX 1040-140 PS+ L		-	-	-	-	-	X	X
MLFX 1041-145 PS+L		-	-	-	-	-	X	X

TABLE SYMBOL

	No predisposition required		Hydraulic line		Return piping to hydraulic oil tank
	Electric predisposition		Platform predisposition		Tyre handler, cylinder handler predisposition



Siège Social

430 rue de l'Aubinière - 44150 Ancenis Cedex - France

Tel: +33(0)2 40 09 10 11 - Fax: +33 (0)2 40 09 10 97

www.manitou.com



This brochure describes versions and configuration options for Manitou products which may be fitted with different equipment. The equipment described in this brochure may be standard, optional or not available depending on version. Manitou reserves the right to change the specifications shown and described at any time and without prior warning. The manufacturer is not liable for the specifications given. For more information, contact your Manitou dealer. Non-contractual document. Product descriptions may differ from actual products. List of specifications is not comprehensive. The logos and visual identity of the company are the property of Manitou and may not be used without authorisation. All rights reserved. The photos and diagrams contained in this brochure are provided for information only.

MANITOU BF SA - Limited company with board of directors - Share capital: 39,668,399 euros - 857 802 508 RCS Nantes